

F2 – Portable sawmill with quality in every detail



A lightweight champion

The F2 is a lightweight sawmill with minimal set-up time. With just a few simple steps, the sawmill is dismantled for transport or storage.



With the chain sawmills it's easy to saw and you get good results at once!

Robust and easy to use

The Logosol chain sawmills cut with impressive precision and suits both beginners and experienced sawyers. You get started quickly and get good results immediately. The chain sawmills are easy to use. On the very first day, you can produce a good-sized stack of planks and boards!

F2+ – An oversized sawmill for heavy-duty work



More space & stronger

We have received feedback from regions where the trees grow larger, as in southern Europe e.g. They have pointed out that the F2 is a bit on the small side for the trees there. By the new design of the F2+ we have met their wish for more space for the log and stronger log lifters.



LOGOSOL F2 Chain Sawmill

Two XL log clamps firmly secure the log into position. Included as standard.

The saw carriage that slides perfectly, and is easy to lift on and off. Prepared for vibration-damping feeding crank, bar nose steering and water cooling.

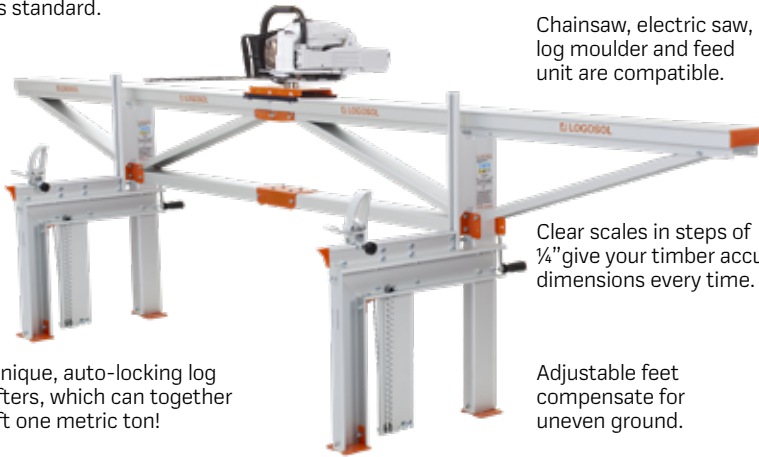


Chainsaw, electric saw, log moulder and feed unit are compatible.

Clear scales in steps of 1/4" give your timber accurate dimensions every time.

Unique, auto-locking log lifters, which can together lift one metric ton!

Adjustable feet compensate for uneven ground.



Scan the QR code with the camera of your smart phone to get more info about F2. >>



LOGOSOL F2+ Chain Sawmill

An open design; all operations are done in a good working position.

The saw carriage that slides perfectly, and is easy to lift on and off. Prepared for vibration-damping feeding crank, bar nose steering and water cooling.



Chainsaw, electric saw, log moulder and feed unit are compatible.

Clear scales in steps of 1/4" give your timber accurate dimensions every time.

An additional beam stabilizes the frame so that it can carry the weight of large logs.

Oversized log lifters and legs.

Adjustable feet compensate for uneven ground.



Scan the QR code with the camera of your smart phone to get more info about F2+. >>



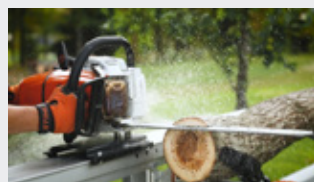
From log to boards with the Logosol Chain Sawmills



The saw unit is easily installed on the carriage, which slides smoothly and accurately on the guide rail.



Clear scales give you the right measurements for each cut. A smart autolocking system allows very quick height adjustments.



The first cut. The log is secured, and the chain cuts easily through the log, giving a fine result.



Pull back the saw unit, raise the log by using the integrated log lifters and cut boards from the log.



Crank + Bar Nose Steering
Package for the F2 saw carriage: Vibration-damping crank and bar nose steering. **Recommended!**
Fits F2 and F2+ saw carriage
SKU: 4525-666-1000



Water Cooling
System for water cooling of the guide bar. Requires the crank + bar nose steering package.
Fits F2 and F2+ saw carriage
SKU: 4525-001-0025

F2 CHAIN SAWMILL

TECHNICAL DATA:

Log diameter: Up to 20" (50 cm), with the possibility of sawing even larger logs.

Log length: 12.2 ft (3.7 m) as standard, but the sawmill can be extended to any length.

Weight: 114 lbs (52 kg) without saw unit.

Length: 13.1 ft (4 m)

Width: 2.3 ft (0.7 m)

Accessories: The sawmill can be extended when required.

Motor options: You can use any professional chainsaw with a motor of minimum 50cc.

Included with the F2:

- ✓ 2 XL log clamps
- ✓ F2 saw carriage
- ✓ Unique auto-locking log lifters

Chainsaw Recommendations:

Most chainsaws with two bar bolts can be used. For the F2 sawmill we recommend a chainsaw with 4-7 hp (3-5 kW).



F2 13.1 ft (4 m)
with 2 log lifts and 2 XL log clamps
SKU: 4525-000-2000



F2 16.4 ft (5 m)
with 3 log lifts and 3 XL log clamps
SKU: 4525-000-2005



F2 19.7 ft (6 m)
with 3 log lifts and 3 XL log clamps
SKU: 4525-000-2006

F2+ CHAIN SAWMILL

TECHNICAL DATA:

Log diameter: Up to 27 1/2" (70 cm), with the possibility of sawing even larger logs.

Log length: 12.2 ft (3.7 m) as standard, but the sawmill can be extended to any length.

Weight: 143 lbs (65 kg) without saw unit.

Length: 13.1 ft (4 m)

Width: 3 ft (0.92 m)

Accessories: The sawmill can be extended when required.

Motor options: You can use any professional chainsaw with a motor of minimum 100cc.

Included with the F2+:

- ✓ 2 XL log clamps
- ✓ F2 saw carriage
- ✓ Unique auto-locking log lifters

Chainsaw Recommendations:

Most chainsaws with two bar bolts can be used. For the F2+ we recommend a chainsaw with at least 7 hp (5 kW).



F2+ 13.1 ft (4 m)
with 2 log lifts and 2 XL log clamps
SKU: 4530-000-2000



F2+ 16.4 ft (5 m)
with 3 log lifts and 3 XL log clamps
SKU: 4530-000-2005



F2+ 19.7 ft (6 m)
with 3 log lifts and 3 XL log clamps
SKU: 4530-000-2006



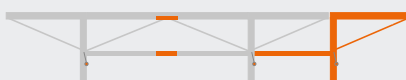
EXTENSION PACKAGES FOR YOUR SAWMILL

The F2/F2+ is built of a smart module system. Extend the sawing length when needed.



Extension package 2 x 1.64 ft (0.5 m)

F2+ SKU: 4525-555-0001
F2 SKU: 4525-555-0001



Extension package 3.28 ft (1 m) with 1 additional log lifter

F2+ SKU: 4530-555-0002
F2 SKU: 4525-555-0002



Extension package 6.56 ft (2 m) with 1 additional log lifter

F2+ SKU: 4530-555-0002
F2 SKU: 4525-555-0002

ACCESSORY PACKAGES:



Basic Package

Package includes: Vibration-damping crank and bar nose steering. **Recommended! Fits F2 & F2*.** SKU: 4525-666-1000



Pro Package

Package includes: Crank & bar nose steering, Water cooling kit & Smart turner. **Fits F2 & F2*.** SKU: 4525-666-2000



Ultimate Package for F2/F2+ Sawmill (with Stihl MS362 chainsaw)

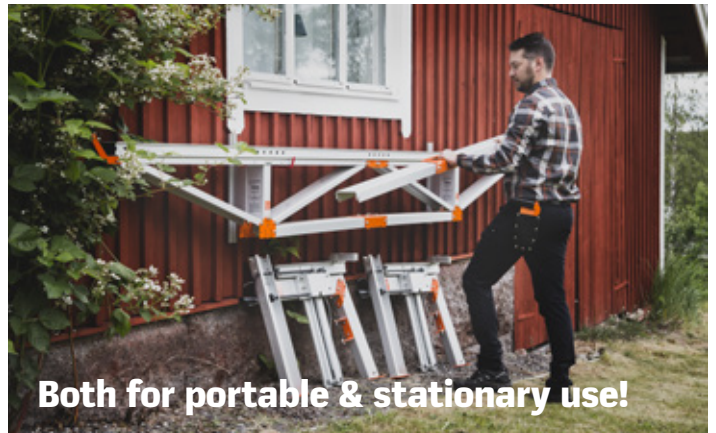
Package includes: Crank & bar nose steering, Water cooling kit, Smart turner, Stihl MS362 with 18", Ripping sprocket for MS362, 18" ripping bar & 18" ripping chain (x3). **Fits F2 & F2*.** SKU: 4525-666-3000



Ultimate Package for F2/F2+ Sawmill (with Stihl MS661 chainsaw)

Package includes: Crank & bar nose steering, Water cooling kit, Smart turner, Stihl MS661 with 20", Ripping sprocket for MS661, 20" ripping bar & 20" ripping chain (x3). **Fits F2 & F2*.** SKU: 4525-666-4000

- ✓ A saw carriage that slides perfectly on the guide rail, and is prepared for bar nose steering, water cooling and vibration-damping feeding crank.
- ✓ Exclusive and durable surface finish. It never rusts and is dirt-repellent.
- ✓ The sawmill is built of a smart module system and can be extended and upgraded when required.
- ✓ Loading stops grip the log when you roll it onto the log bed and give the log bed additional support and stability.
- ✓ Strong locking of the guide rail sections facilitates assembly and gives increased stability.
- ✓ Under the guide rail, there is a horizontal, easygrip carrying handle that facilitates lifting the sawmill.
- ✓ Two XL log clamps secure the log firmly. They are included as standard.
- ✓ Increased distance between the guide rail and the log enables you to cut knotty and crooked logs without problem.



Both for portable & stationary use!

