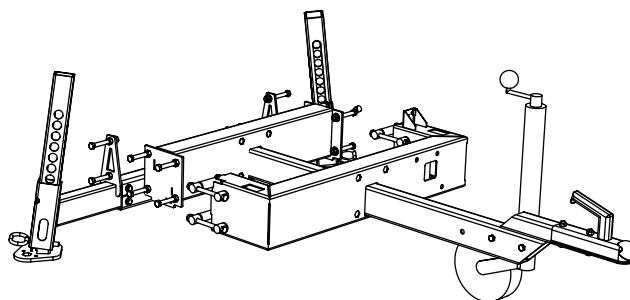
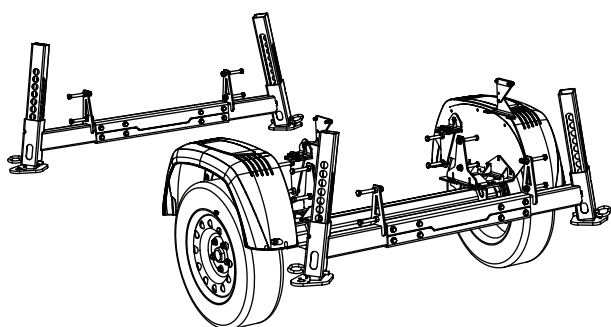


 **LOGOSOL**

# **USER MANUAL**

SKU 0458-395-0711

**REV: 2**



## **TRAILER KIT 1300 KG**

B751 PRO / B1001

**EN**

## THANK YOU FOR CHOOSING A LOGOSOL MACHINE!

We are very pleased that you have demonstrated your confidence in us by purchasing this machine, and we will do our utmost to meet your expectations.

Logosol has been manufacturing sawmills since 1989, and in that time we have supplied approximately 50,000 sawmills to satisfied customers all over the world.

We care about your safety and want to ensure that you achieve the best possible results. We therefore recommend that you take the time to carefully read this user manual before you start using the machine.

We hope you are completely satisfied with your new equipment.

*Bengt-Olov Byström*

**Bengt-Olov Byström**  
Founder,  
Logosol in Härnösand



Read through the user manual carefully and make sure you understand its contents before you use the product.



This user manual contains important safety instructions.



**WARNING!** Incorrect use can result in serious or fatal injuries to the operator or others.



LOGOSOL continuously develops its products. For this reason, we must reserve the right to modify the configuration and design of our products.

Document: Trailer Kit User Manual  
Manual, SKU: 0458-395-0680  
Text: Martin Söderberg

Illustrations: Martin Söderberg, Anna Fossane  
Last revised: November 2022

© 2023 LOGOSOL, Härnösand, Sweden

## TABLE OF CONTENTS

Safety instructions	4
Components	6
Component parts	7
Assembly	10

## SAFETY INSTRUCTIONS

- Read the entire manual carefully before starting work. Failure to observe these safety instructions may result in fatal injuries.
- Make sure that everyone who uses the sawmill is well-informed of the dangers and has read the manual. The manual must also be accessible to everyone who uses the sawmill. This applies also if the sawmill is lent or sold.
- Minors under 18 years of age must not be permitted to operate the sawmill.
- Children and animals must not be near the sawmill during operation.
- Due to loud noise and the risk of the blade being flung out in the event of breakage, respect the safety distance.
- Anyone working with the sawmill must be in good physical shape, healthy and well-rested. Schedule regular breaks. Do not work under the influence of alcohol, drugs or medicines that may cause drowsiness or inattentiveness.
- Only work in conditions with good visibility. Do not work in the dark or where visibility is poor.
- Make sure there are other people within earshot, in case you need help.
- Only add extra equipment to the sawmill that is made by Logosol or that is specifically approved by Logosol for the purpose. Other equipment may result in risk of accident and must not be used. Logosol will not accept liability for injury or damage to property incurred while using non-approved attachments on the sawmill.
- Always wear personal protective equipment: Appropriate clothing is a tight-fitting work overall. Never work with loose clothing, jacket or similar.
- Wear steel cap shoes with deep-tread soles for good grip. Do not wear a scarf, tie, jewellery or similar that can catch in the equipment.

### Key to symbols



For your own safety, read through the entire user manual carefully and do not start the machine before you have understood everything.



Use approved ear protectors and protective eyewear. Even short periods of exposure can result in hearing damage.



Sharp rotating tools. Make sure to keep your fingers away from these.









This symbol means 'WARNING!'. Pay particular attention where this symbol appears in the manual text.






A warning comes after this symbol. Pay particular attention where this symbol appears in the manual text.

# SAFETY INSTRUCTIONS

## WORK SITE

-  **WARNING!** Never operate a band sawmill with a combustion engine in a closed or poorly ventilated area. Doing so can cause death by asphyxiation or carbon monoxide poisoning.
-  The use of the band sawmill and the handling of saw blades must be carried out in broad daylight or in adequate work lighting.
-  Keep the workplace free of debris, pets, children, obstacles and anything else that may distract the operator.
-  Choose an work site where the supporting ground is tightly compacted and level, with generous space for the band sawmill, log piles and sawn wood. If possible, position the band sawmill so that the sawdust is blown away from the operator station. Set up the band sawmill on a level surface, with at least 5 m of clear, obstacle-free space all around the machine. If the band sawmill is to be set up permanently, we recommend supporting the bandsaw rails on cement slabs or wooden blocks (15 cm x 15 cm) placed under each crossbar.
-  Always keep a hand-held, ABC-type (min. 3 kg) fire extinguisher readily accessible at the work site.
-  Always have a fully stocked first aid kit available at the work site.

## MOVING THE BAND SAWMILL

-  **WARNING!** Risk of crush injuries.
-  When lifting and moving machine parts, keep persons and animals outside the 5 m danger zone around the machine. Secure the load during transport.
-  The sawmill carriage must only be moved when the sawhead is secured on the rails (longitudinally and vertically) at the specified location.

**Locking the sawhead:** Before moving the sawmill, secure the sawhead in the specified place using the supplied mechanism .

# COMPONENTS

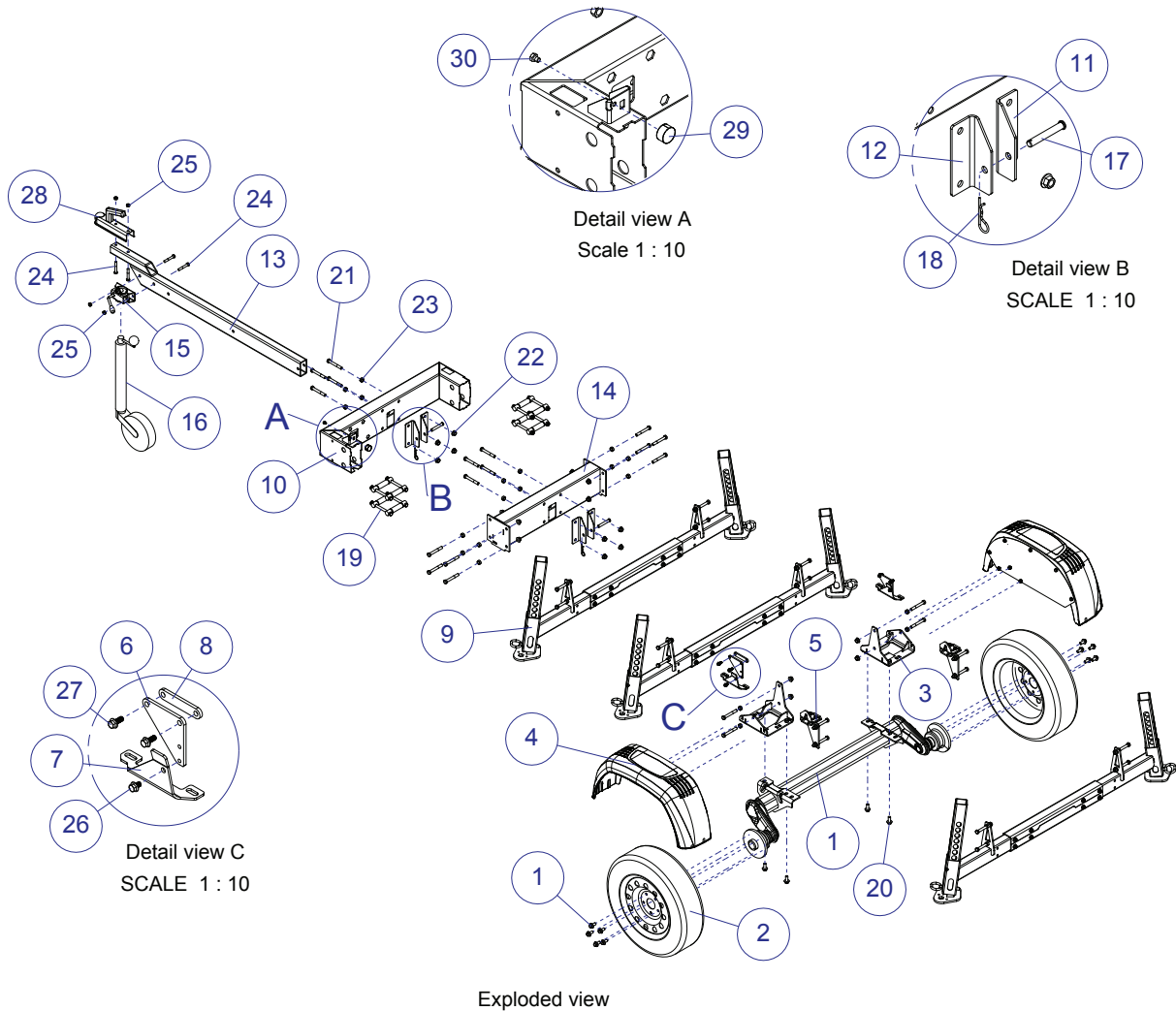
Below is a description of the components, to assist you in identifying them during assembly.

(B1001: 02-00366) B751 PRO: —

(B1001: 02-00392) B751 PRO: —

(B1001: 04-00560) B751 PRO: —

30		1	Screw M6SF M8x10 8.8 fzb
29	04-00155	1	GN352 30-15-M8 E55
28	04-00589	1	Coupling head ISO/50 1500kg
27		4	M6SF DIN 6921 M8x25 8.8 fzb
26		2	Screw M6SF DIN 6921 M8x12 8.8 fzb
25		4	Nut LM6MF DIN 6926 M10 8 fzb
24		4	Screw M6S DIN 931 M10x65 8.8 fzb
23		20	Nut M6M ISO 4032 M12 8 fzb
22		20	Nut M6MF DIN 6923 M12 8 fzb
21		20	Screw M6SH ISO 4017 M12x90 8.8 fzb
20		4	Screw M6SF DIN 6921 M12x30 8.8 fzb
19	01-00335	4	Rail connection
18	04-00556	2	Hair Pin Wiberger hns 3
17	04-00557	2	Bolt 12x80 Wiberger sms 2360
16	04-00577	1	Trailer jockey Ø200x50 (ALKO 1224351)
15	04-00576	1	Jockey wheel-clamp (ALKO 01-00)
14	02-00417	1	Crossbunk
13	02-00368	1	Drawbar
12	03-02279	2	Drawbar Bracket Left
11	03-02278	2	Drawbar Bracket Right
10	02-00416	1	Drawbarbeam
9	01-00614	3	Support legs
8	03-02342	1	Spacer
7	03-02344	2	Lower bracket
6	03-02343	2	Upper bracket
5	01-00667	2	Carriage lock-downs
4	01-00737	2	Fender asm
3	02-00494	2	Axle mount
2	04-00559	2	Wheel and rim 155/80 R13 C8 (5x112) 625kg
1	04-00588	1	Wheel axle 1300kg/A760/C1360/112x5
Item no.	Art.no.	Qty.	Description





**01-00668**

Upon delivery, verify that all component parts are included.

	2 x	03-03160
	2 x	02-00494
	2 x	02-00477
	2 x	03-03008
	2 x	V, 03-02279
	2 x	H, 03-02278
	1 x	04-00576
	2 x	03-03011

	1 x	02-00368
	1 x	02-00392 B1001
	1 x	02-00416 B751 PRO
	1 x	02-00366 B1001
	1 x	02-00417 B751 PRO
	2 x	04-00558
	2 x	04-00559
	1 x	04-00560 B1001
	1 x	04-00588 B751 PRO
	1 x	03-02342
	2 x	03-02343
	2 x	03-02344
	1 x	04-00589
	1 x	1-00668-skp
	1 x	1-00737-skp
	8 x	03-01814
	1 x	04-00577
	1 x	03-03042



**8310-001-0050**

**x3**

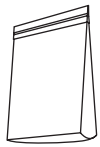
		2 x – M10x25
		8 x – M10x70
		8 x – M10
		4 x – M12x100 NV18
		4 x – M12
		4 x – M12 NV18

01-00614-skp

02-00475	2 x	
03-03020	2 x	
02-00474	2 x	
04-00549	2 x	

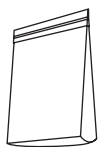


**01-00668**



**01-00668-skp**

	4 x	M12x100
	4 x	M10x65
	20 x	M12x90 NV18
	8 x	M12x140
	2 x	M8x12
	4 x	M8x20
	4 x	M8x25
	4 x	M12x30
	24 x	M12 NV18
	4 x	M10
	24 x	M12
	4 x	M8
	8 x	M12
	2 x	Cylindrical bolt 12x80
	2 x	Hairpin cotter



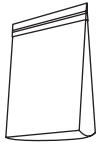
**01-00737-skp**  
**2x**

	3 x	M8x16
	5 x	M8
	5 x	M8x16
	5 x	M8
	3 x	M8

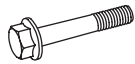




**8310-001-0110**

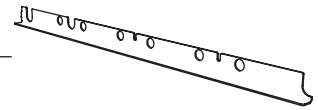


01-00570

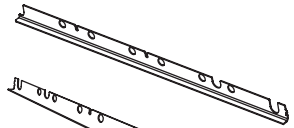


4 x M6x35

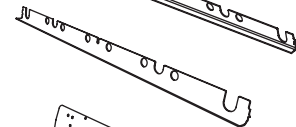
03-02649 2 x



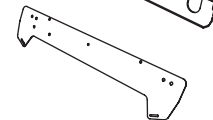
03-02648 2 x



03-02459 6 x



03-02488 2 x



**BOLTS/NUTS**

Definition of the fasteners on the previous page.



Shoulder bolt



Cross screw



Slotted screw



Locking screw



Hex nut



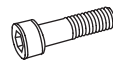
Flange nut



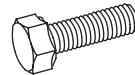
Flat washer



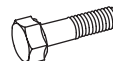
Allen screw



Allen screw (partially threaded)



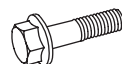
Hex bolt



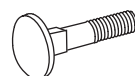
Hex bolt (partially threaded)



Flange bolt



Flange bolt (partially threaded)



Carriage bolt

**ADDITIONAL SYMBOLS**

The following symbols are used in addition to those shown above to describe part design.



Low



Tensilock



Lock



Countersunk



Dome

**DIMENSIONS/LENGTH**

The dimensions of the fasteners are printed as a diameter dimension (M) ISO 68-1. This is followed by a length dimensions for bolts/screws; the dimension of a bolt/screw is the part of the bolt/screw that disappears into the material in which it is mounted.

**(Diameter)**

**(Length)**

M8

x

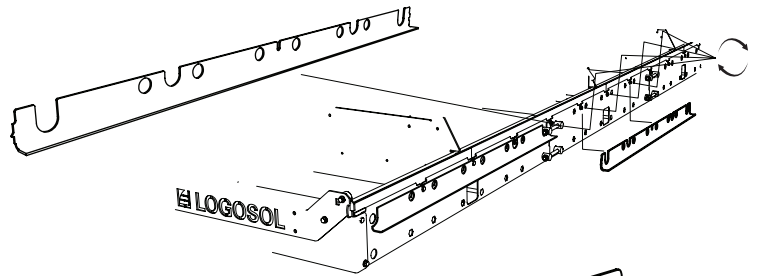
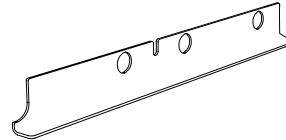
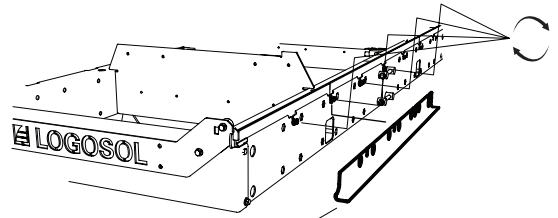
20



**8310-001-0110**

**Start the assembly by installing the new anti-tip protectors.**

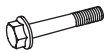
Install the new tip protection strips with the bolts/screws that hold the rails. Note that assembly begins and ends with the 'end pieces' Be careful not to unscrew the bolts/screws too much, as this could cause the nuts to fall out.



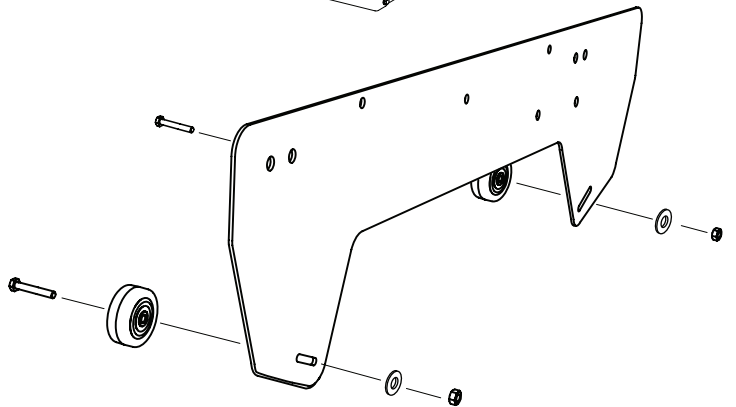
Install the wheels of the sawhead on the tip protection plate. Use the washers and nuts from the existing assembly.



1 x 01-00570



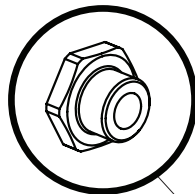
2 x M6x35



Install the sawhead lock on the bogie tube. Replace existing nuts with item 03-03011. Then repeat the assembly on the second bogie tube.



2 x 03-03011



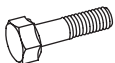
Use the existing screws on the sawmill.



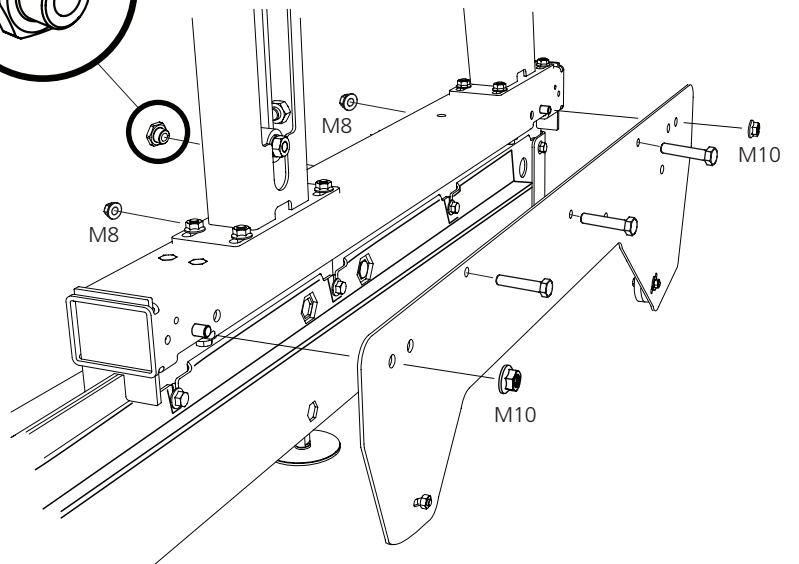
4 x M10



4 x M8



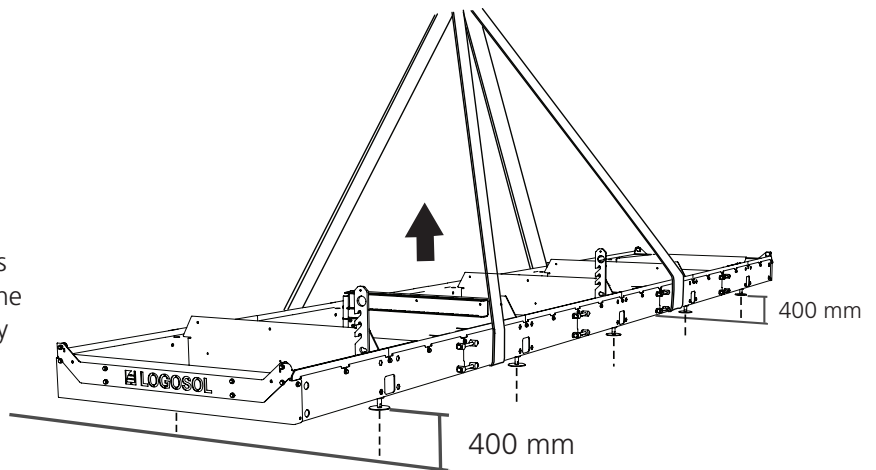
6 x M8x95



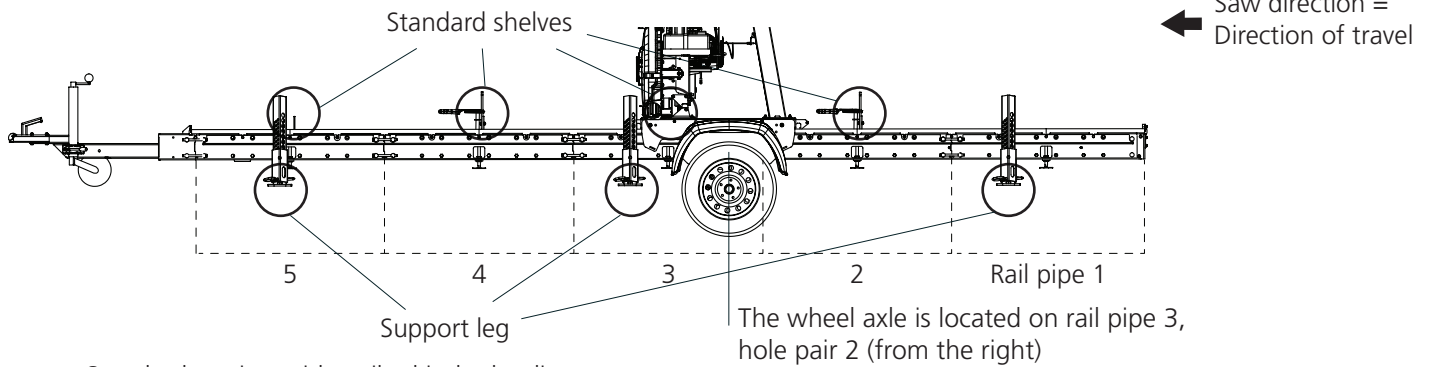


**8310-001-0110**

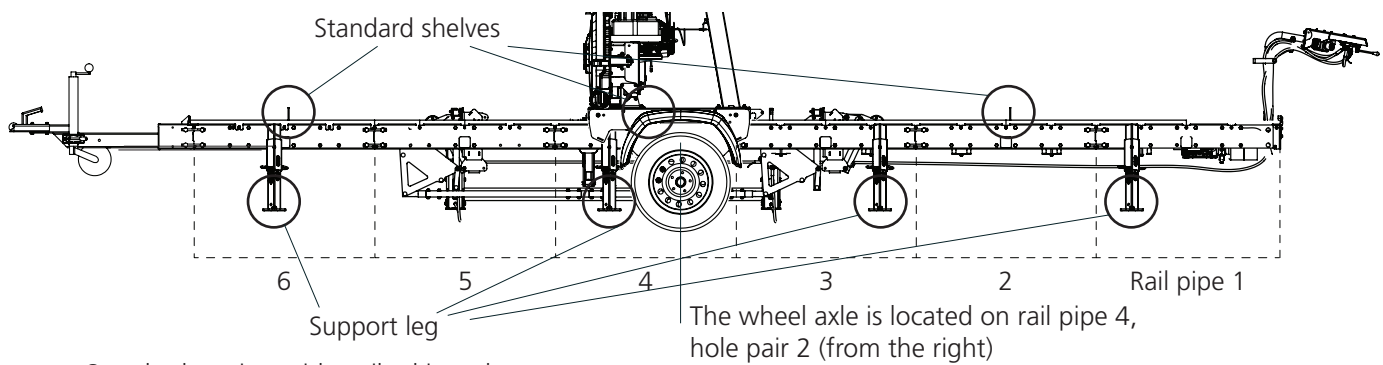
Safely and appropriately raise the rail so that the underside of the rail tubes is 400 mm from the ground. This is the lowest clearance that allows assembly of the support legs.



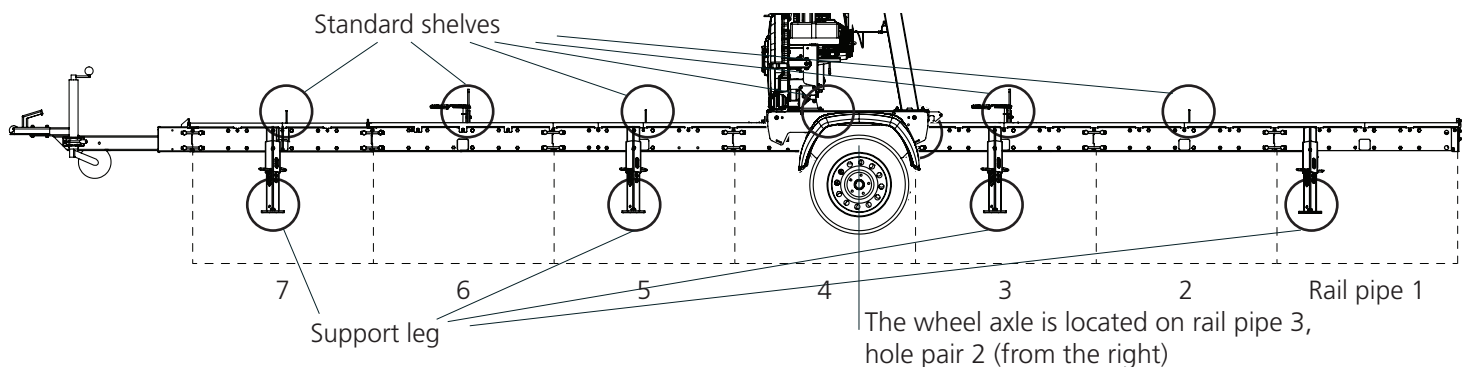
Standard version with trailer kit.



Standard version with trailer kit, hydraulics and an extension (which is the maximum number with hydraulics).

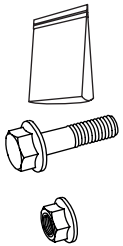


Standard version with trailer kit and two extensions (which is the maximum number)





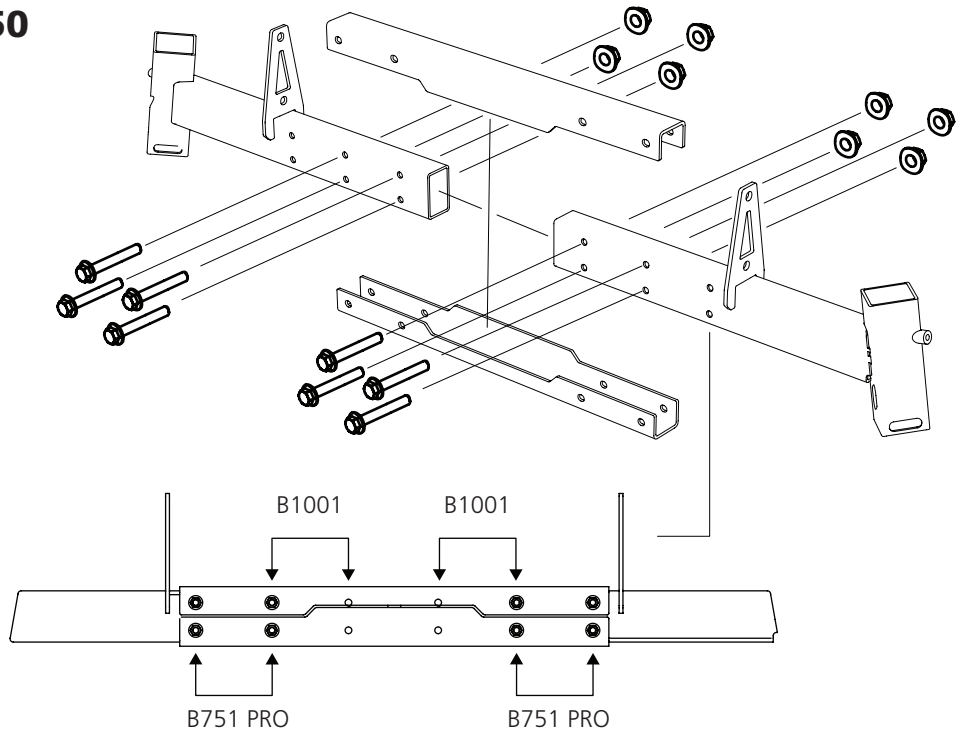
**8310-001-0050**



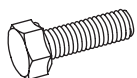
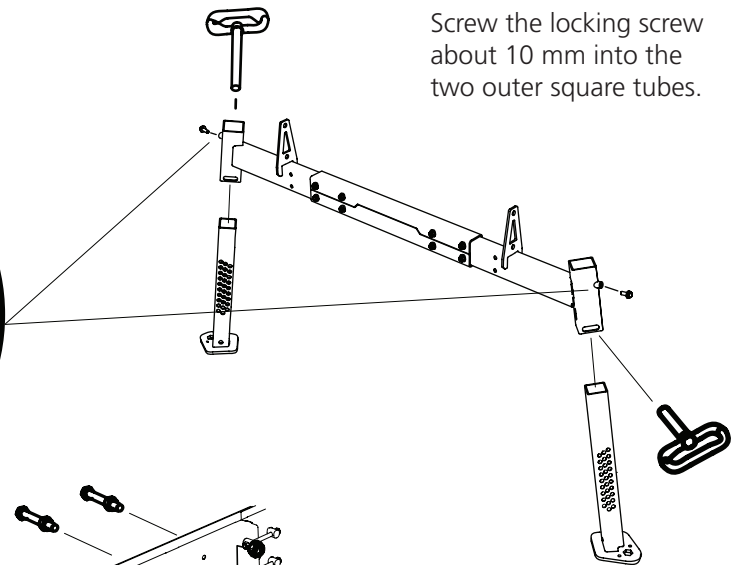
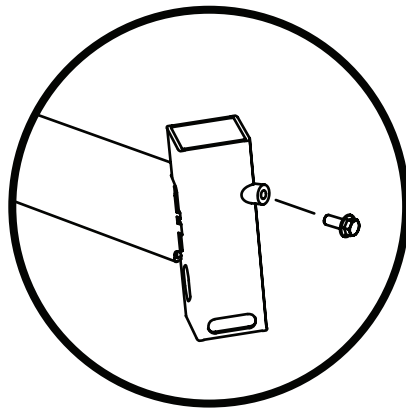
1 x - 01-00614-skp

8 x - M10x70

8 x - M10



2 x - M10x25



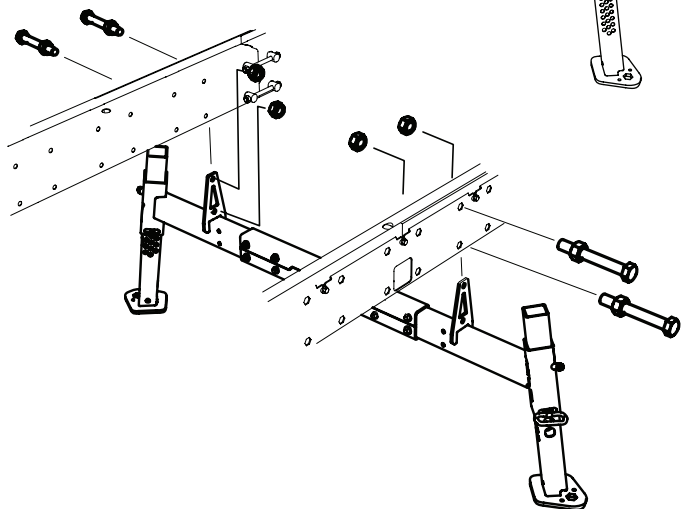
4 x - M12x100 NV 18



4 x - M12



4 x - M12

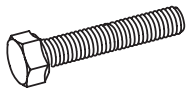




**01-00668**



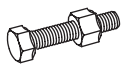
1 x - 01-00668-skp



20 x M12x90 NV18



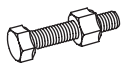
20 x M12 NV18



4 x



4 x M12



4 x



4 x M12



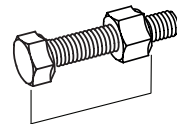
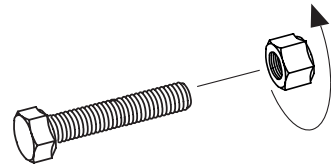
Use the existing parts from the sawmill.



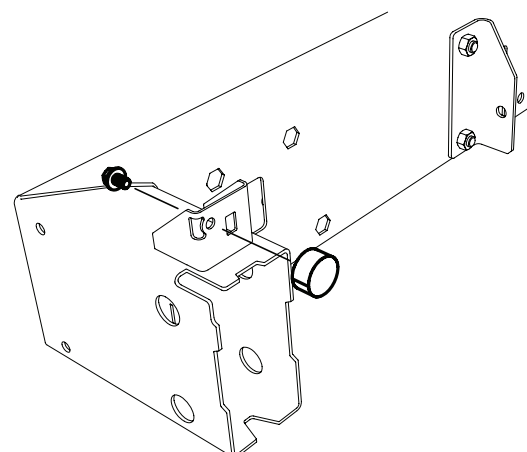
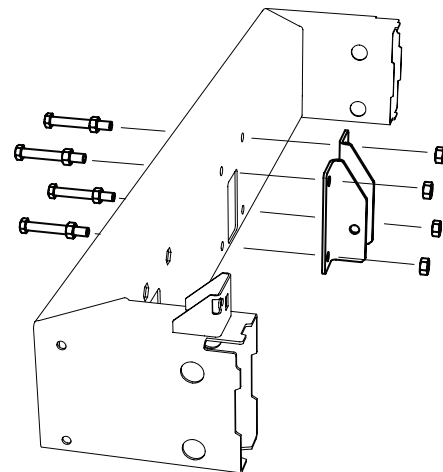
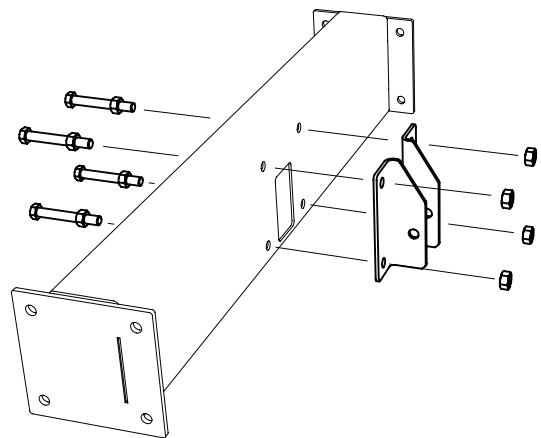
1 x M8x10



1 x

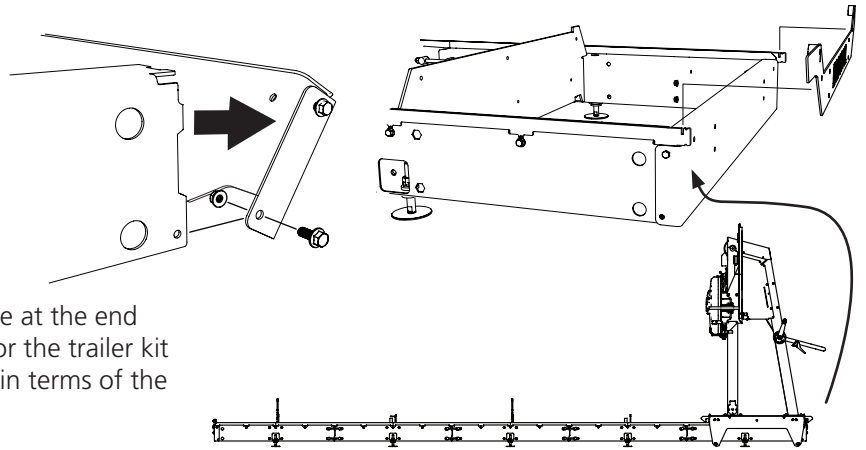


78,5mm





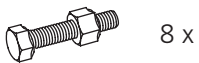
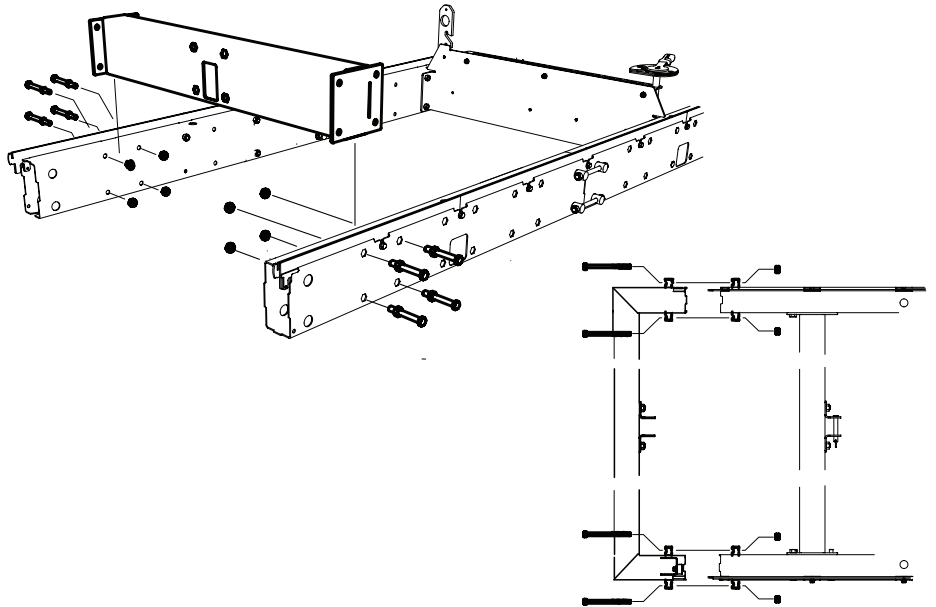
**01-00668**



Dismantle the end plate and the end piece at the end of the rail pipe. Note that the drawbars for the trailer kit must be mounted at the end of the rails (in terms of the saw direction).



Install the reinforcement at the first hole pattern in from the rail end. Make the joints finger-tight.



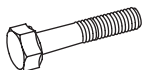
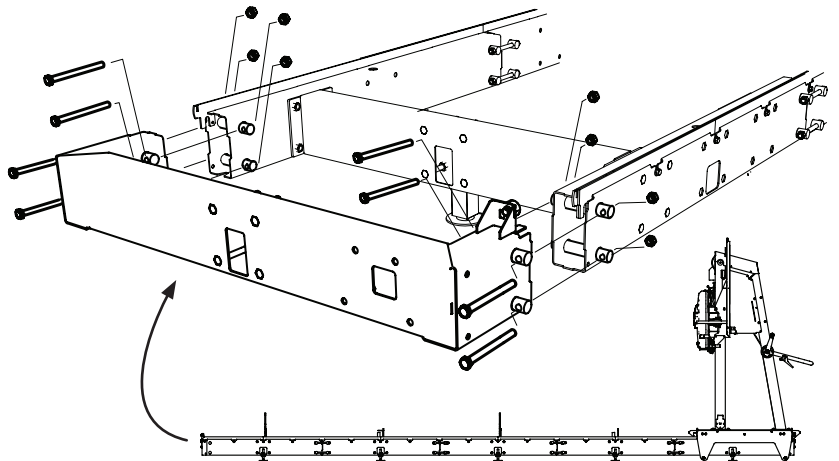
8 x



8 x M12



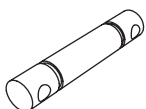
Install the outer drawbar on the rail end. Fit the joints, and then alternately pull the inside and outside until the pipe ends match each other. Once a good fit is achieved, tighten the joints on both the inner and outer drawbars.



8 x M12x140



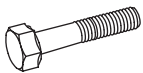
8 x M12



8 x



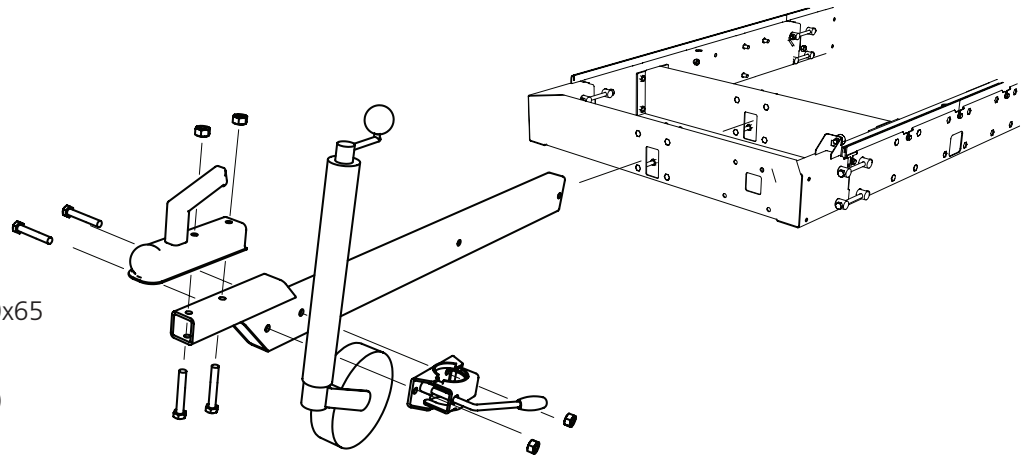
01-00668



4 x M10x65



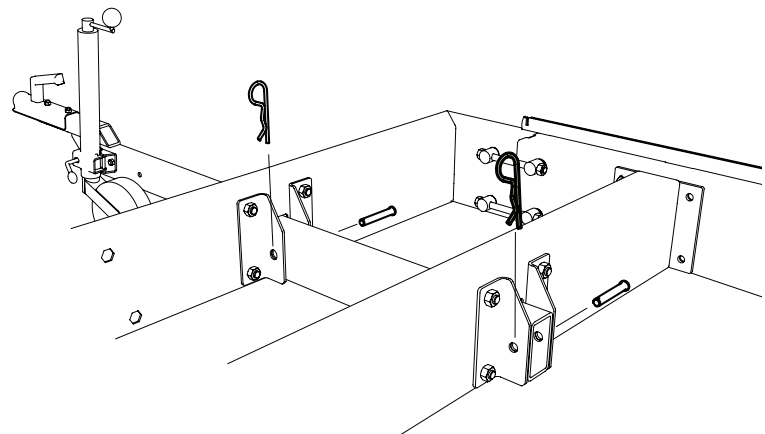
4 x M10



2x

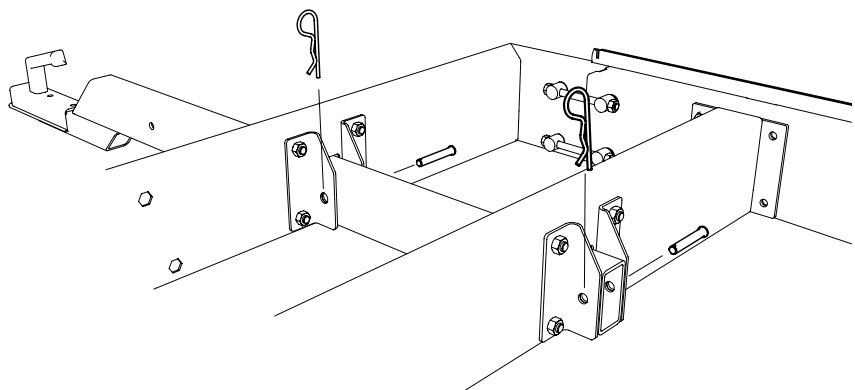


2x




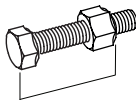
**POSITION OF THE DRAWBARS**

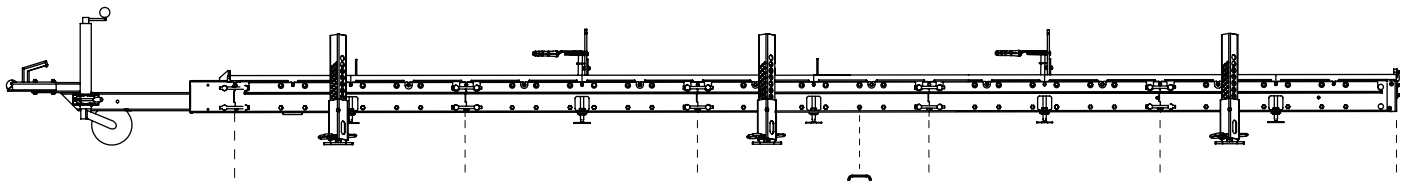
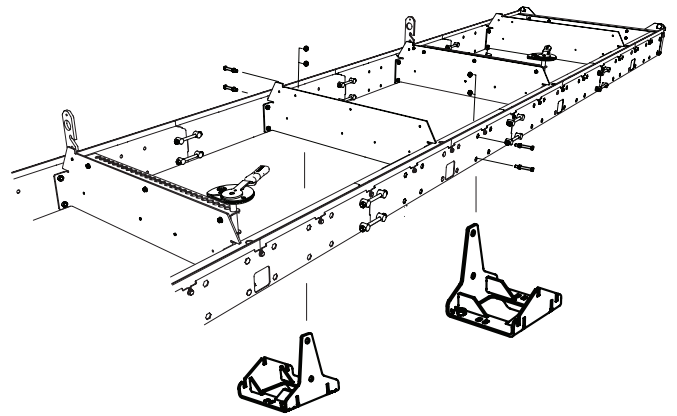
Place the carriage drawbar in the outer position for transport. The drawbar can be removed when sawing if it is considered to be in the way.



**10**


Install the wheel axle mounts on the rails. Note the longitudinal position on the rail during assembly. Mount the brackets on the third rail pipe, hole pair 2.

-  4 x M12
-  4 x M12x90  
78,5mm



**11**

Mount the fenders. Note that they are attached as 'right' and 'left'.

-  2 x 01-00737-skp

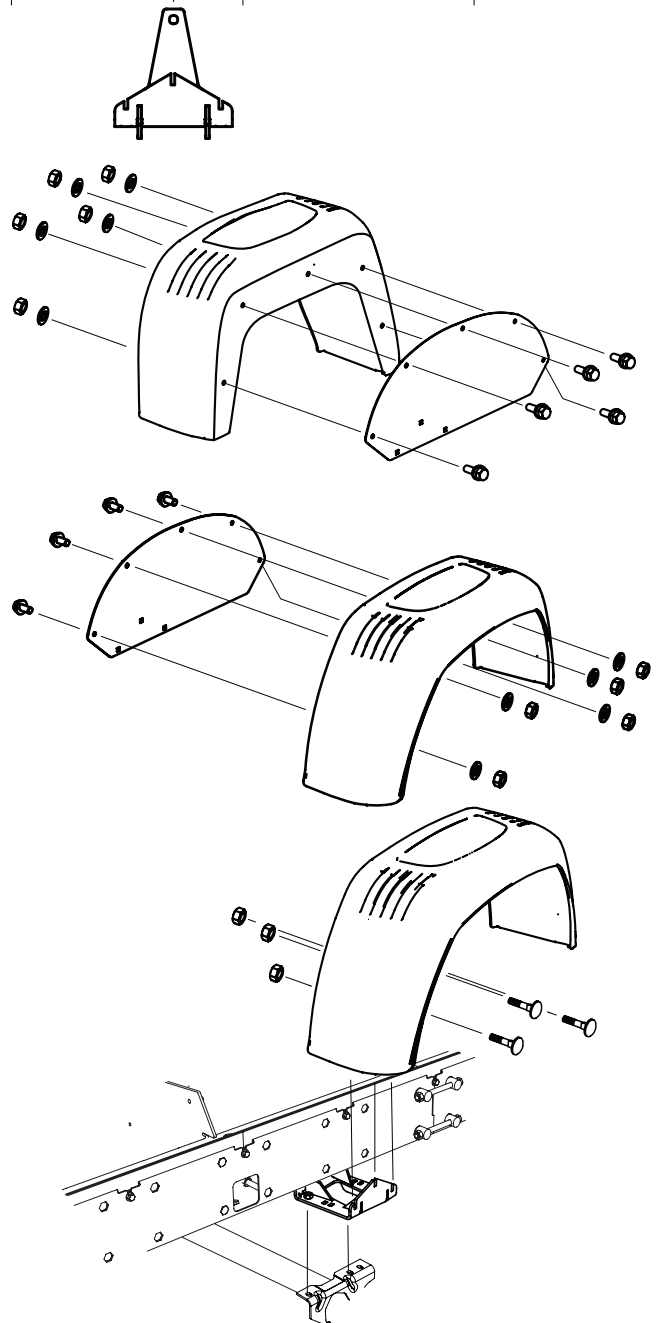
-  10 x M8x16

-  10 x M8

-  10 x M8

-  6 x M8x16

-  6 x M8



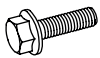
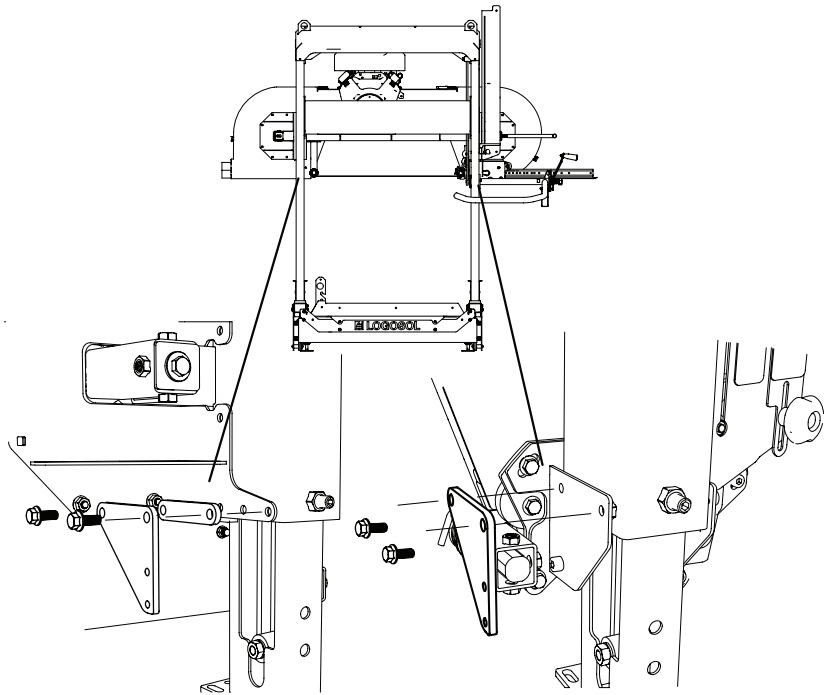




**01-00668**

**12**

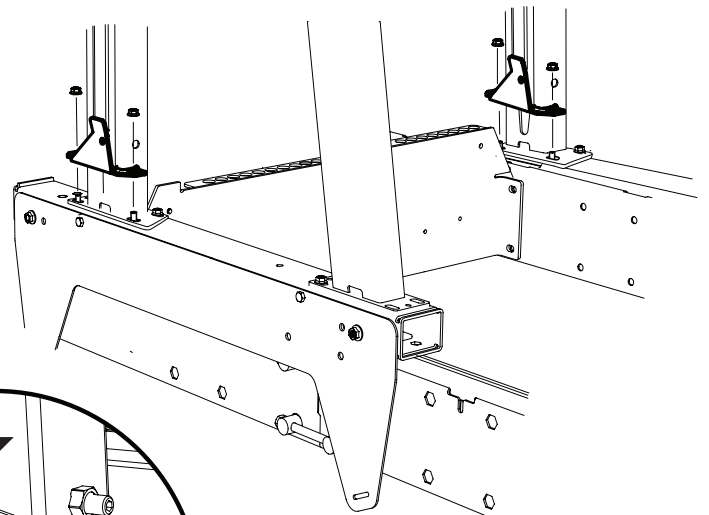
Mount the fittings for the sawhead's locking mechanism on the main posts. Note that on the exhaust side of the sawhead, a spacer must be mounted between the locking plate and the main post.



4 x M8x25

**13**

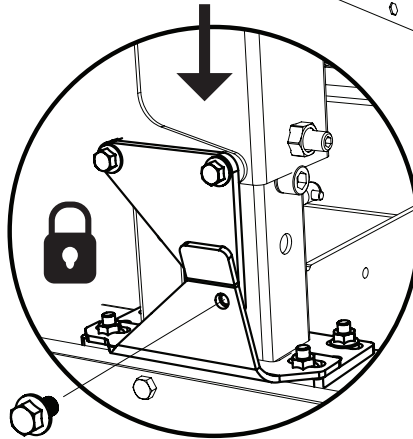
Mount the fittings for the sawhead's locking mechanism on the bottom plate of the respective main posts. Be careful when releasing the bolted joints as it is easy for the bolt/screw to fall out through the underside of the pipe. Use the existing nuts from the sawmill.



4 x M8

**14**

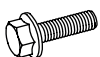
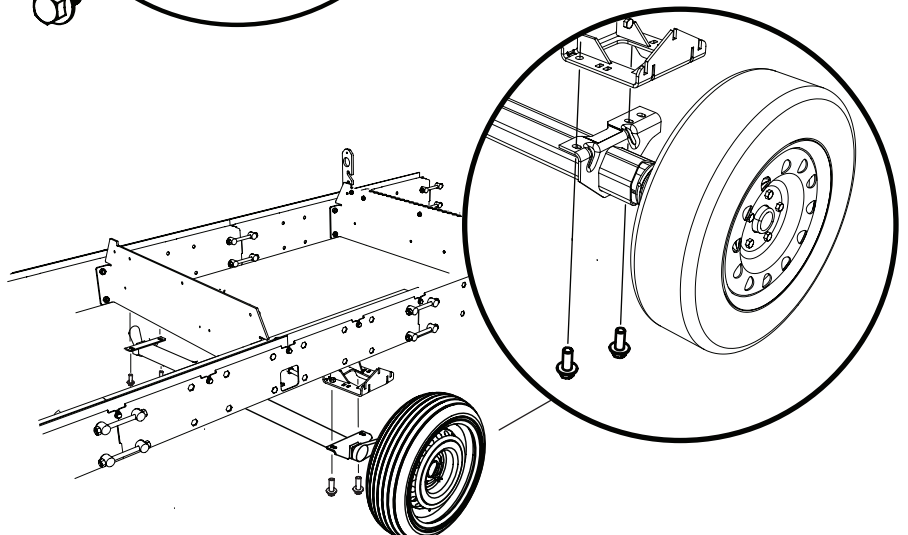
Lock the fittings during transport using the flange bolts.



2 x M8x12

**15**

Mount the wheel axle on the rails. Note the longitudinal position of the wheel axle mounts on the rail during assembly.



4 x M12x30



**01-00668**

**16**

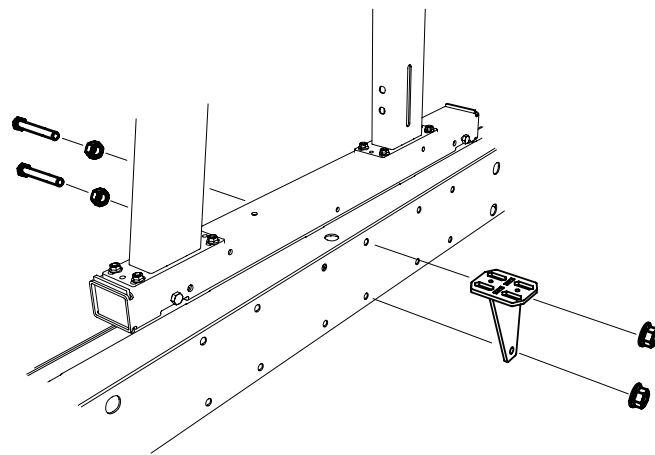
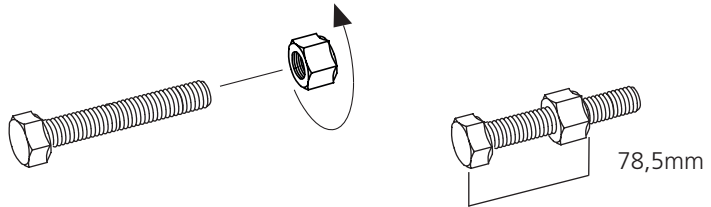
4 x M12x100

4 x M12

**17**

4 x

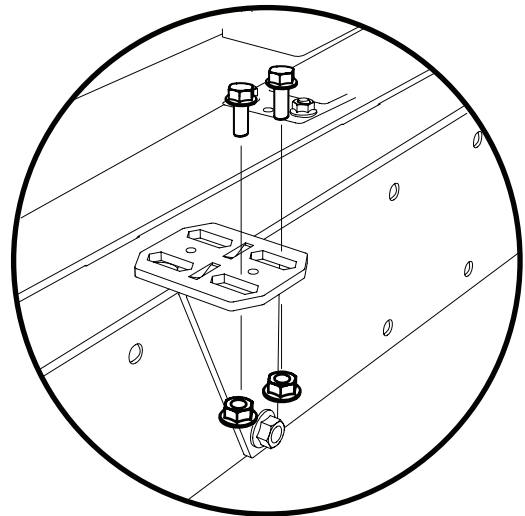
4 x M12



**18**

4 x M8x20

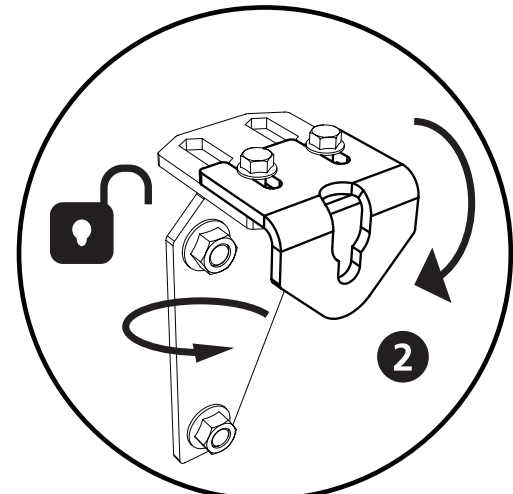
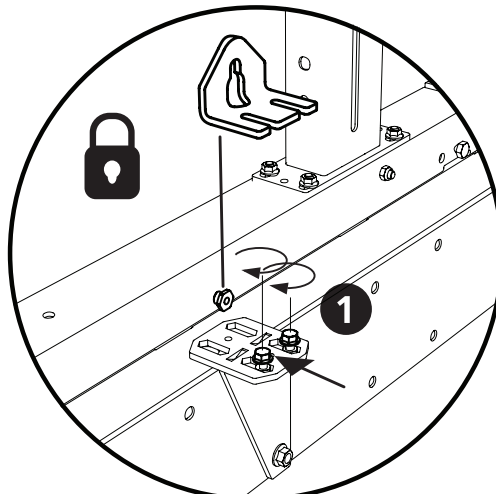
4 x M8



**19**

1. Transport mode:  
During transport,  
mount the fittings for  
the sawhead's locking  
mechanism on the  
bottom plate of the  
respective rail pipes.

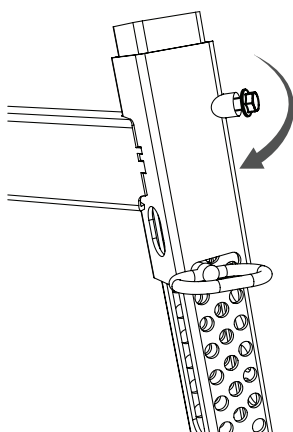
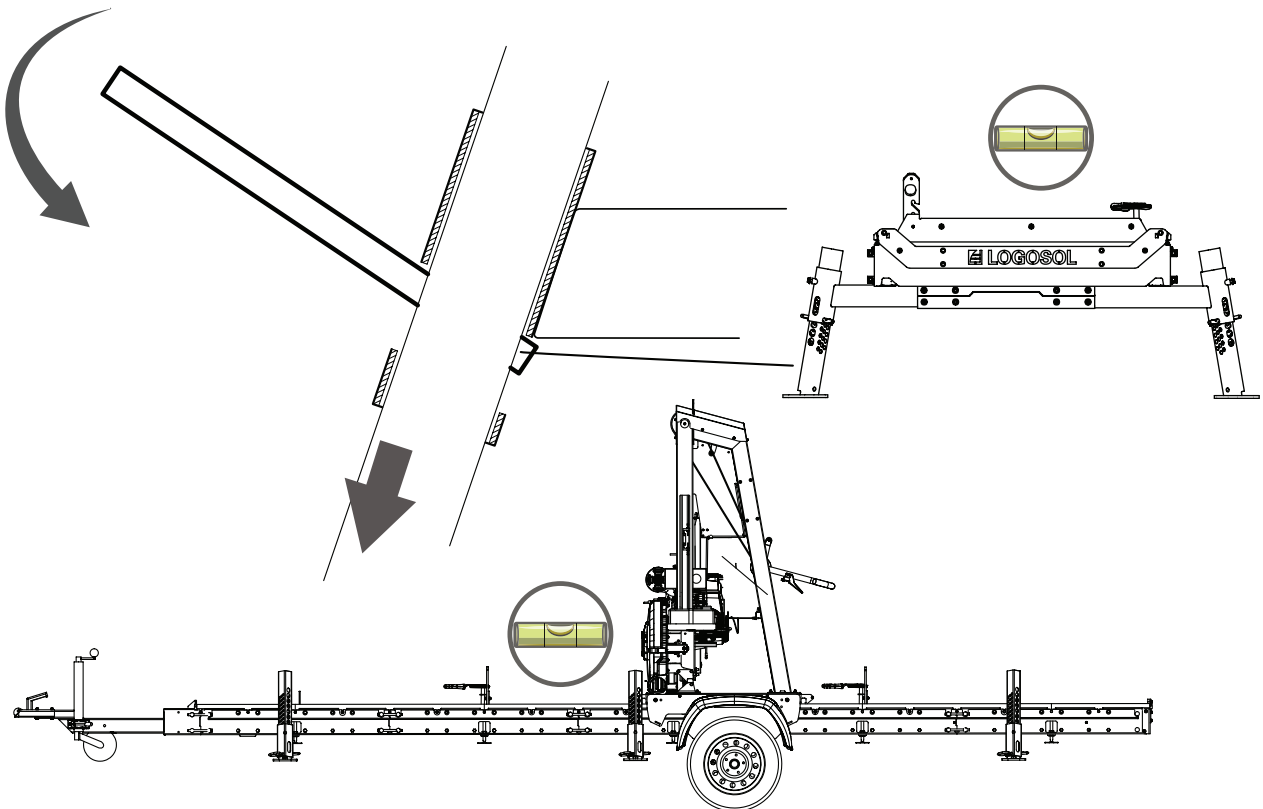
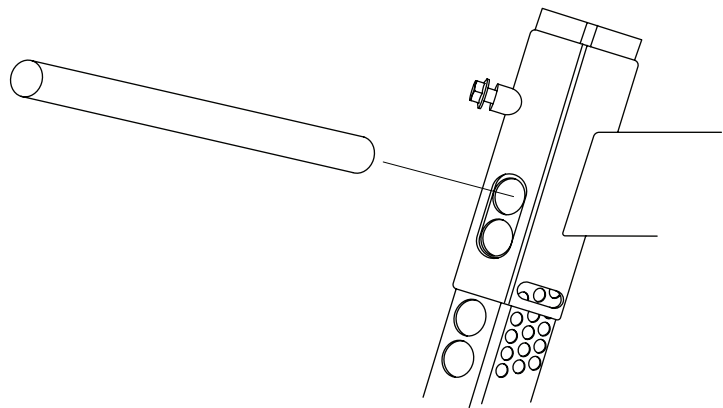
2. Working mode:  
When the saw is in use,  
the fitting is positioned  
as shown in the image.



**ENSURE THAT THE RAIL IS LEVEL**

To ensure good functioning of the rails, it is important that they be completely level. Adjust the rail horizontally along the short side. Position the sawmill so that the wheels are level with each other. Verify this with the help of a spirit level. Then adjust the drawbar support wheels so that the log bed is also longitudinally level. Then drop down the support legs and fine-tune as necessary.

**Tip!** Cut pads for use as spacers underneath the support leg where ground unevenness exceeds support leg reach .



Finish by tightening the locking screw to stabilise the support legs in their chosen position. Remember to also do this during transport.



## Declaration of Conformity

In accordance with Directive 2006/42/EC, Annex 2A

Logosol AB  
Fiskaregatan 2  
871 33 Härnösand

hereby declares that Logosol **Trailer Kit 1300 kg for B751 PRO / B1001**

has been manufactured in conformity with:  
the Machinery Directive 2006/42/EC

and has been manufactured in conformity with  
the following harmonised standards:  
EN ISO 12100:2010

Fredrik Forssberg, CEO, is responsible for technical  
documentation.

**Härnösand, 2022-11-23**

**Fredrik Forssberg, VD**



## Declaration of conformity

Logosol AB,  
Fiskaregatan 2,  
SE-871 33 Härnösand, Sweden  
Tel. +46 611 18285

hereby declares that **Logosol Trailer kit 1300 kg for B751 PRO / B1001**

has been manufactured in conformity with:  
Supply of Machinery (Safety) Regulations  
2008

and has been manufactured in conformity  
with the following harmonised standards:  
BS EN ISO 12100:2010

Fredrik Forssberg, CEO, is responsible for  
the technical files.

**Härnösand 2022-11-23**

**Fredrik Forssberg, CEO**



Fiskaregatan 2, S-871 33 Härnösand, SWEDEN  
Phone +46 611 18285 | info@logosol.com | www.logosol.com